

FLOS

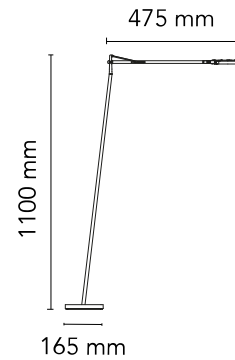
F3305033 Anthracite

Kelvin Led Floor

Designed by Antonio Citterio/assistant Toan Nguyen, Antonio Citterio, 2011

8W - 285lm - 2700K

Floor lamp. Head in pressofused aluminium, diffuser in PC. Power pack on plug, base cover in injection printed PC, counterweight in iron cut and painted by means of a cataphoresis process. Directionable head. Three-step ON/OFF switch with Soft Touch technology. Base separated from the lamp body with safety locking pin.



Are you a professional and your project needs consulting and support?

[BOOK AN APPOINTMENT](#)

Main specifications

Mounting	Floor
Environments	Indoor dry location
Light source type	LED
Light sources included	Yes
LED type	LED Module
Power (W)	8
Lumen Output (lm)	285

Physical

Colour	Anthracite
Length (mm)	675
Cord colour	Black
Net weight (kg)	3.8
Package volume (m3)	0.04
IP internal	20

Download

[Mounting instructions](#) PDF

[Mounting instructions](#) PDF

Photometric Files

[LDT / IES](#) LDT

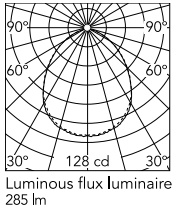
Technical Drawings

[2D](#) ZIP

[3D](#) ZIP



Schematic light drawing



Photometric

Lighting type	Direct
Light distribution	Symmetric
CCT (K)	2700
Extreme cut off	No

Electrical

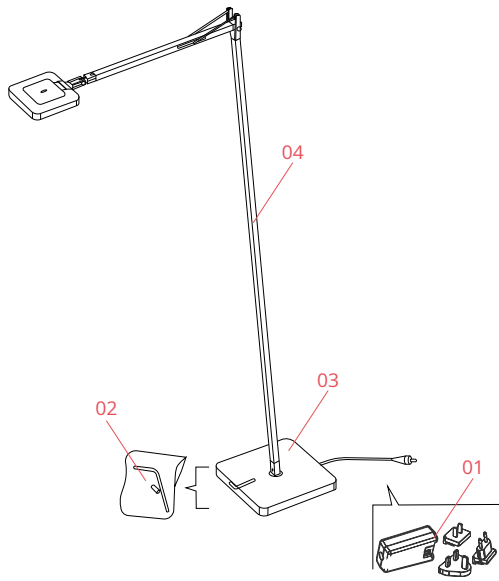
Insulation class	III
Frequency (Hz)	50/60
Main voltage (Vac)	100-240
Power supply	Remote included
Dimmable	Yes
Power supply type	Electronic 24V
Dimming interface	Dimmer Integrated
Plug type	Type A, Type C, Type G
Batteries inside	No

Ecodesign and Energy Labelling

This product contains a light source of energy efficiency class F



Spare Parts



- | | | |
|-----|--|-----------|
| 01. | Black plug assembly kit & 24V driver | RF6600230 |
| 02. | Kelvin Led Floor Kit with screw and allen keys | RF3320300 |
| 03. | Kelvin led gm anthracite base | F3322033A |
| 04. | Kelvin led Floor anthracite body | F3306033 |



RF6600230

Black plug assembly kit & 24V driver



RF3320300

Kelvin Led Floor Kit with screw and allen keys



F3322033A

Kelvin led gm anthracite base